

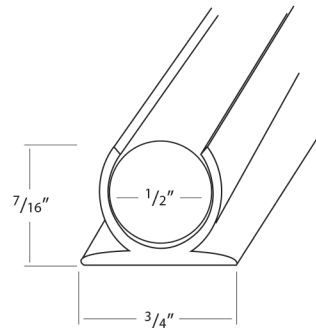
# LED ROPE LIGHT BULK REELS

## LED ROPE LIGHT

Reels in 120V are economical and versatile. Use for energy efficient accent light, outlines, railings, steps, coves, patios, gazebos, wine cellars, retail displays and more.

## FEATURES

- Cost effective lighting for a variety of applications
- Vibrant, long lasting colors that grab attention
- Produces virtually no heat for maximum safety
- Bulk reels can be field cut for maximum project flexibility (ULRL-LED UL listing becomes void if rope is cut)
- Bulk reels include five conkits (one is pre-attached) and 50 mounting clips (no accessories included with chasing rope)
- Sold in 150 foot reels only



## TECHNICAL SPECIFICATIONS

Voltage	120V, 60Hz AC operation (1.6A inverter on cord converts AC power to DC for LEDs)
Construction	UV resistant clear PVC housing with LEDs spaced every 1.2"
Mounting	Clear plastic mounting clips or track
Bulk reel	150 feet
Dimensions	1/2" diameter
Light Output	5.2 lumens per foot CW, 4.6 lumens per foot WW
Wattage	BL, CW, GR and WW = 0.77 watt per foot; AM, RE and YE = 0.47 watt per foot
Maximum run	150 feet for 120V
Cuttability	As noted on facing page
LED specs	60,000 hour rated life for Whites, 100,000 hour rated life for all other colors; 2V, 15-20mA for Red and Yellow; 3V, 15-20mA for all other colors
Dimmers	Switched wall outlets cannot be used with wall dimmers per the NEC. *Minimum loads apply for ALTR, LED-TR and TRE series power supplies; and for most wall dimmers. Dimmable with most CFL/LED and low voltage electronic dimmers.
Packaging	White box

