

FLOOD LIGHTS

Durable and adjustable security lights with virtually no maintenance

FLOOD LIGHTS

Save up to 84% in running costs, compared to 50W and 100W halogen flood lights. Great for driveways, walkways, architectural accents, outdoor signage, home security and safety.

FEATURES

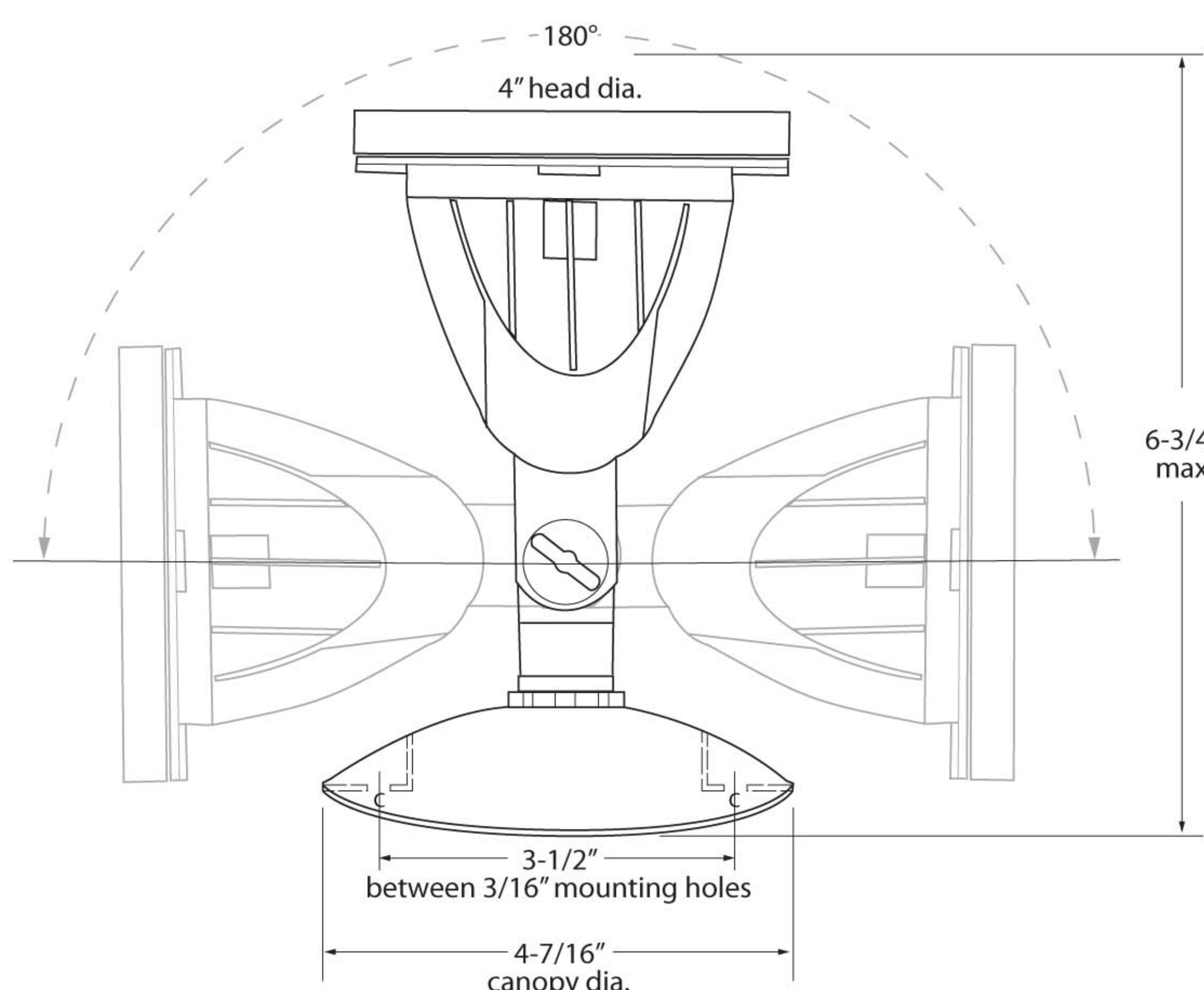
- Upgrade conventional flood lights to bright white LED light by replacing existing fixtures
- New 4" extension arms available to clear architectural obstacles and/or add rotational clearance for heads
- Rugged aluminum housing with polyester powder coat finish offers outstanding corrosion protection
- Fixture includes weatherproof gasket and convenient power connectors for easy installation
- 120-277V input voltage range covers both residential and commercial applications
- Tempered glass lens adds impact resistance and safety
- Bright white LEDs (4400K) with 80 CRI provide safe, multi-purpose lighting
- c/UL/us Listed for wet locations
- Heat dissipation fins optimize thermal management
- Three year warranty



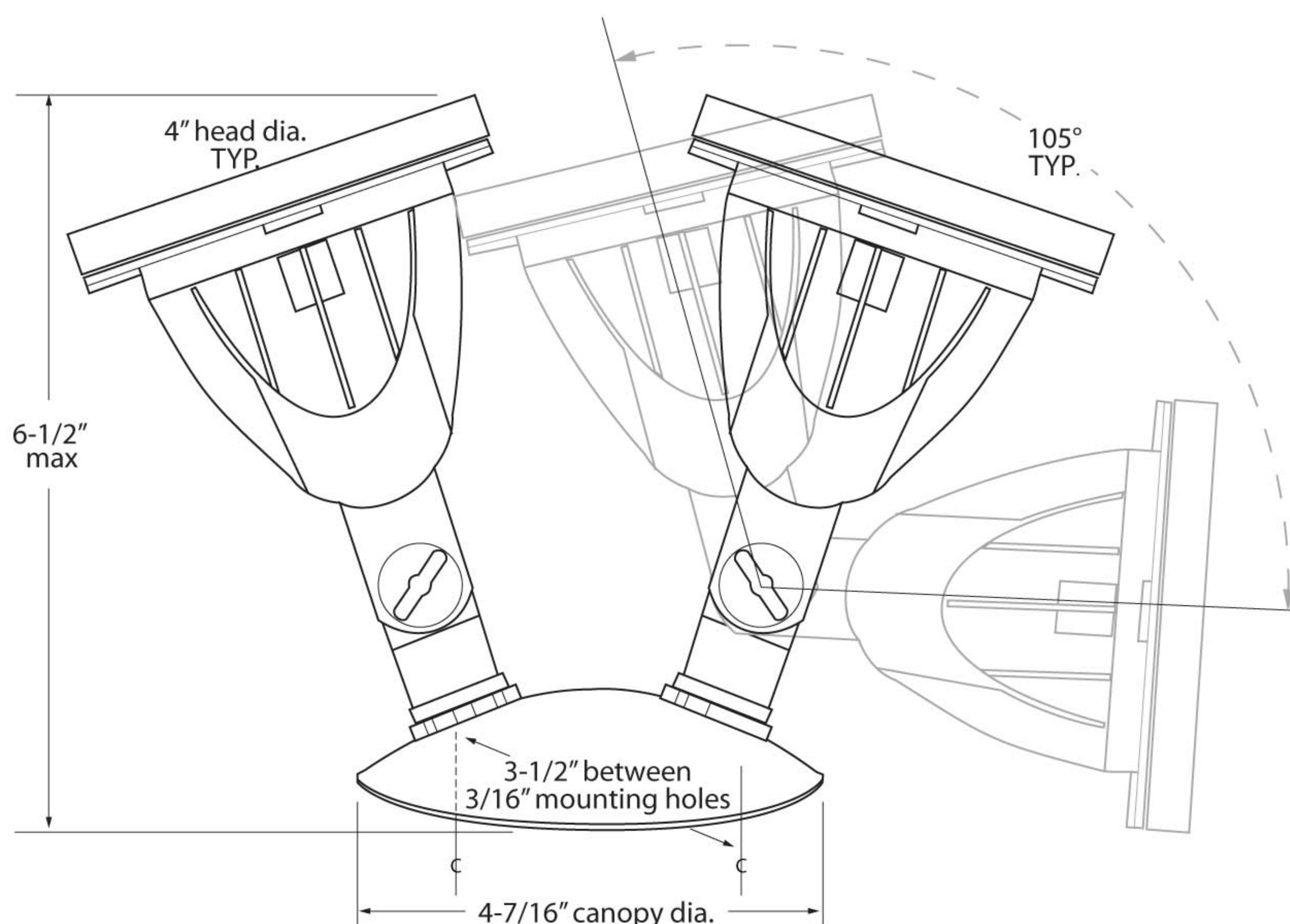
Shown in White above, also available in Dark Bronze



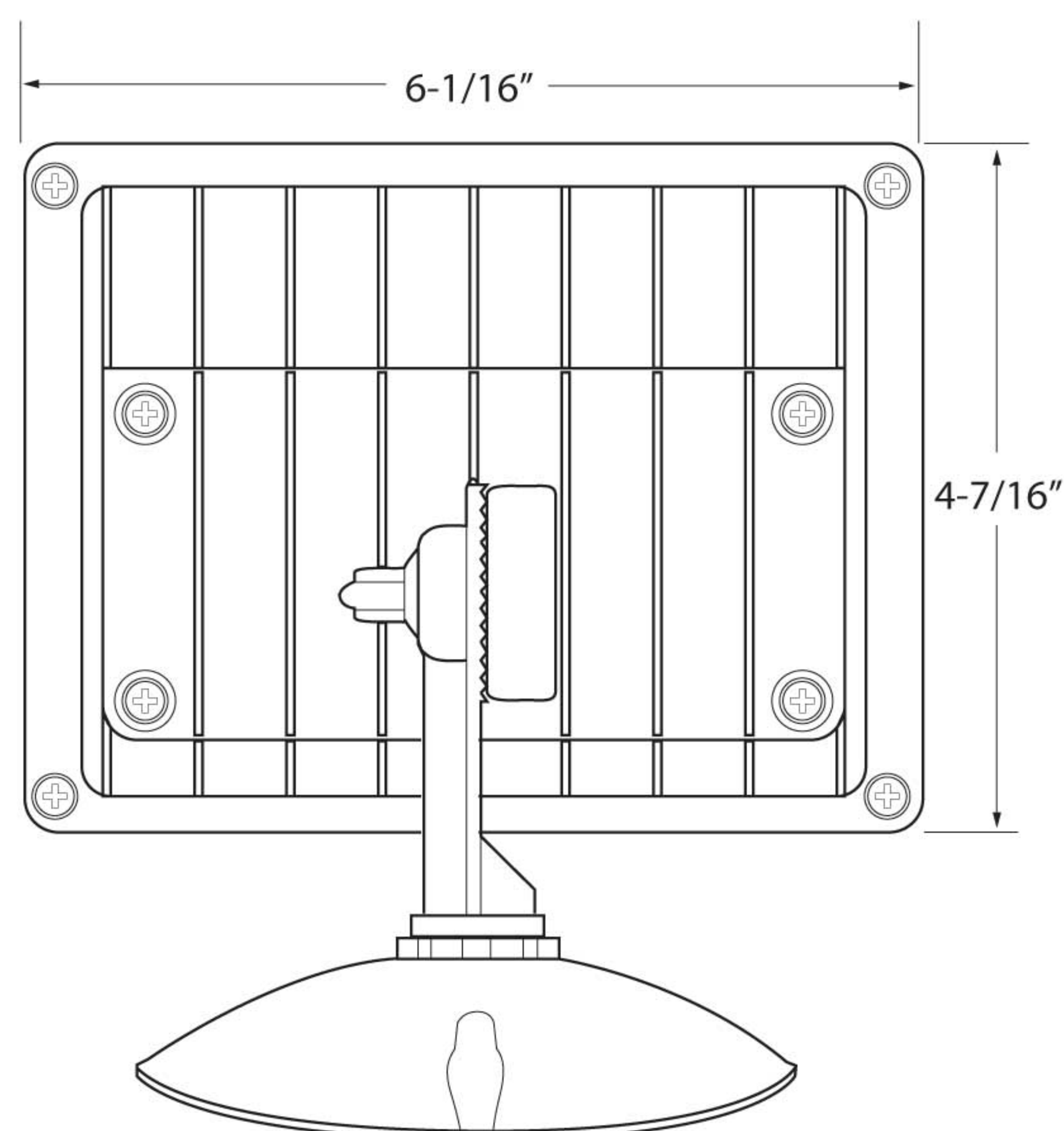
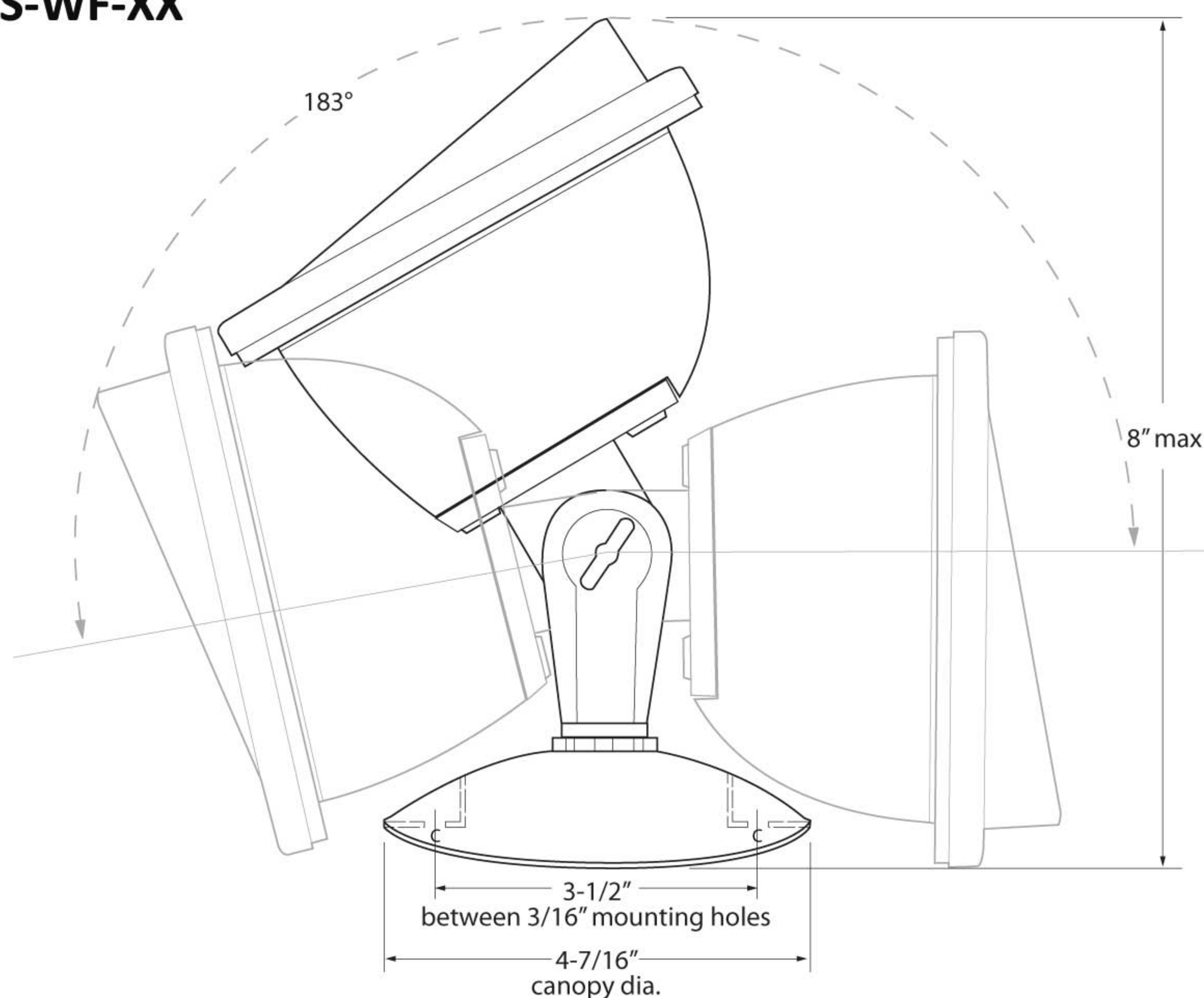
LS-1H-XX



LS-1H-XX



LS-WF-XX



FLOOD LIGHTS





LS	—		—	
Flood Light		WF = Rectangular flood		DB = Dark Bronze
		1H = Single head		WH = White
		2H = Double head		

ACCESSORIES

LS-4C	—	
4" Extension Arm		DB = Dark Bronze
		WH = White



TECHNICAL SPECIFICATIONS

Voltage	120-277V AC, 60 Hz operation	   
Construction	Powder coated aluminum die-cast housing and lens frame, tempered glass lens, thermal shock and impact resistant design	
Mounting	Surface mount to 4" standard octagonal electrical box, use included gasket for damp locations 1/2" NPT swivel arms thread into canopy, secured with lock nuts. For rain-tight seal, caulk the top and side of canopy and arm joints. 11" AWG lead wires accommodate extension arms when needed.	
Dimensions	Canopy diameter (all styles) = 4-7/16"; 4" head diameter for AL-1H and AL-2H; AL-WF: H = 8" (max), W = 6-1/16", D = 8" (min), AL-1H: H = 6-3/4" (max), W = 4-7/16", D = 4-7/16", AL-2H: H = 6-1/2" (max), W = 12-1/2" (max), D = 4-7/16",	
Switching	On/Off wall switch or use threaded 1/2" NPT hole (shipped with plug) for photocell (photocell not included)	
Knockouts	N/A	
Light output	AL-1H = 460 lumens, AL-2H = 920 lumens, AL-WF = 785 lumens	
Wattage	AL-1H = 9.4 watts, AL-2H = 18.8 watts, AL-WF = 16.5 watts	
Maximum run	N/A	
LED Specs	50,000 hour rated life, 4400K, 80 CRI, 110° beam angle	
Dimming	Not dimmable	
Diffuser	Tempered glass lens	
Packaging	Retail box, 6 boxes per case; carton includes tray and backer card for POP display	