

A56 COMBO

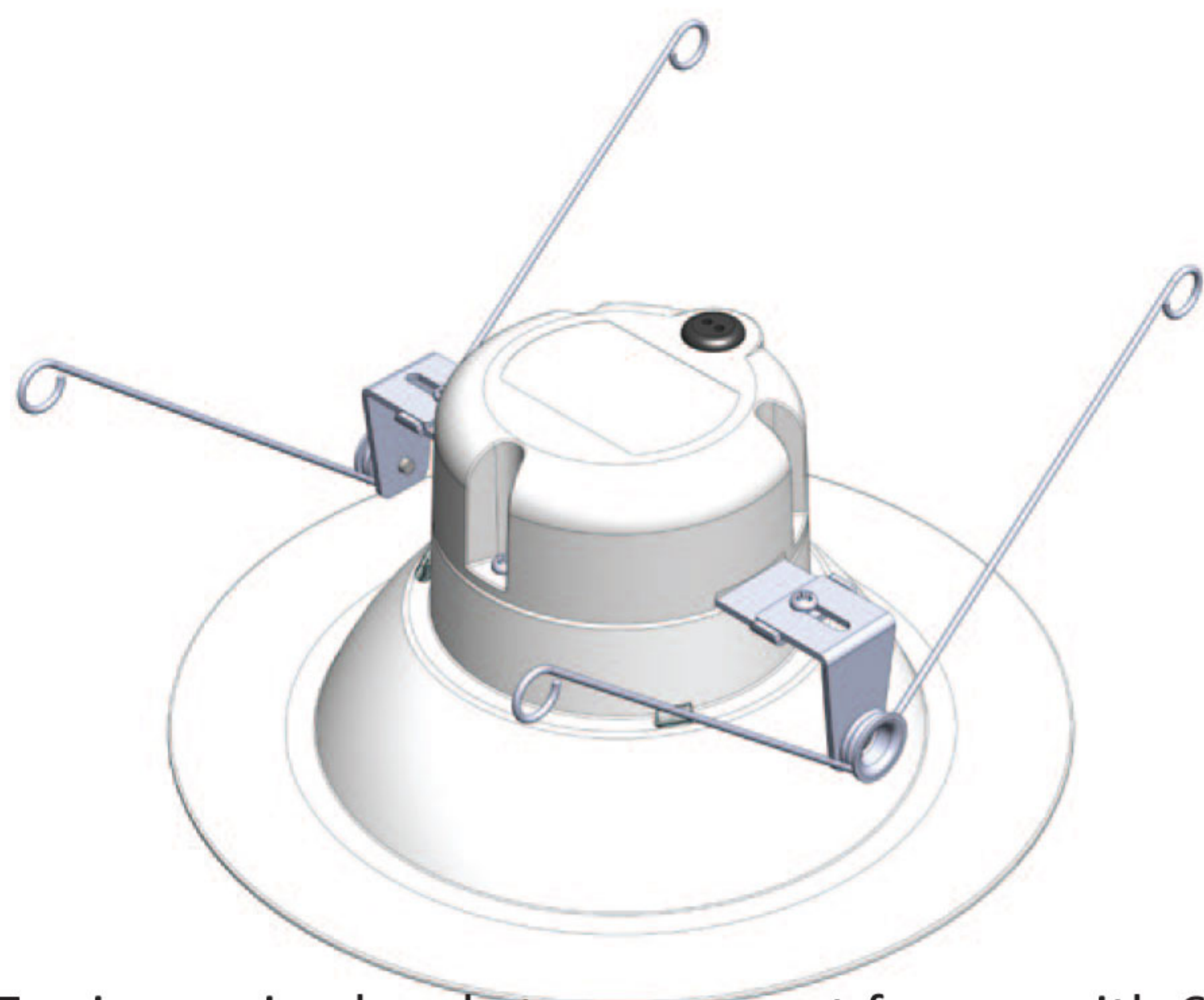
5"/6" COMBINATION LED RETROFIT DOWNLIGHT

- Dimmable with most standard incandescent dimmers*
- Type IC certified, suitable for wet locations
- Save in running costs over incandescent and eliminate frequent lamp replacements
- Easy to install – just remove existing lamp and trim, screw socket adaptor into existing 120-volt 6" recessed can**, snap mating power connectors together and secure LED Downlight with built-in torsion springs
- Low maintenance LEDs last 25,000 hours (average life)
- 3000K Warm White LED light and high color rendering produce attractive general lighting with true color rendering
- Highly efficient – the A56 unit produces 60 lumens/watt
- Energy Star compliant
- Five year warranty

*Dimming range is 5~100% using Lutron Skylark S-600-WH

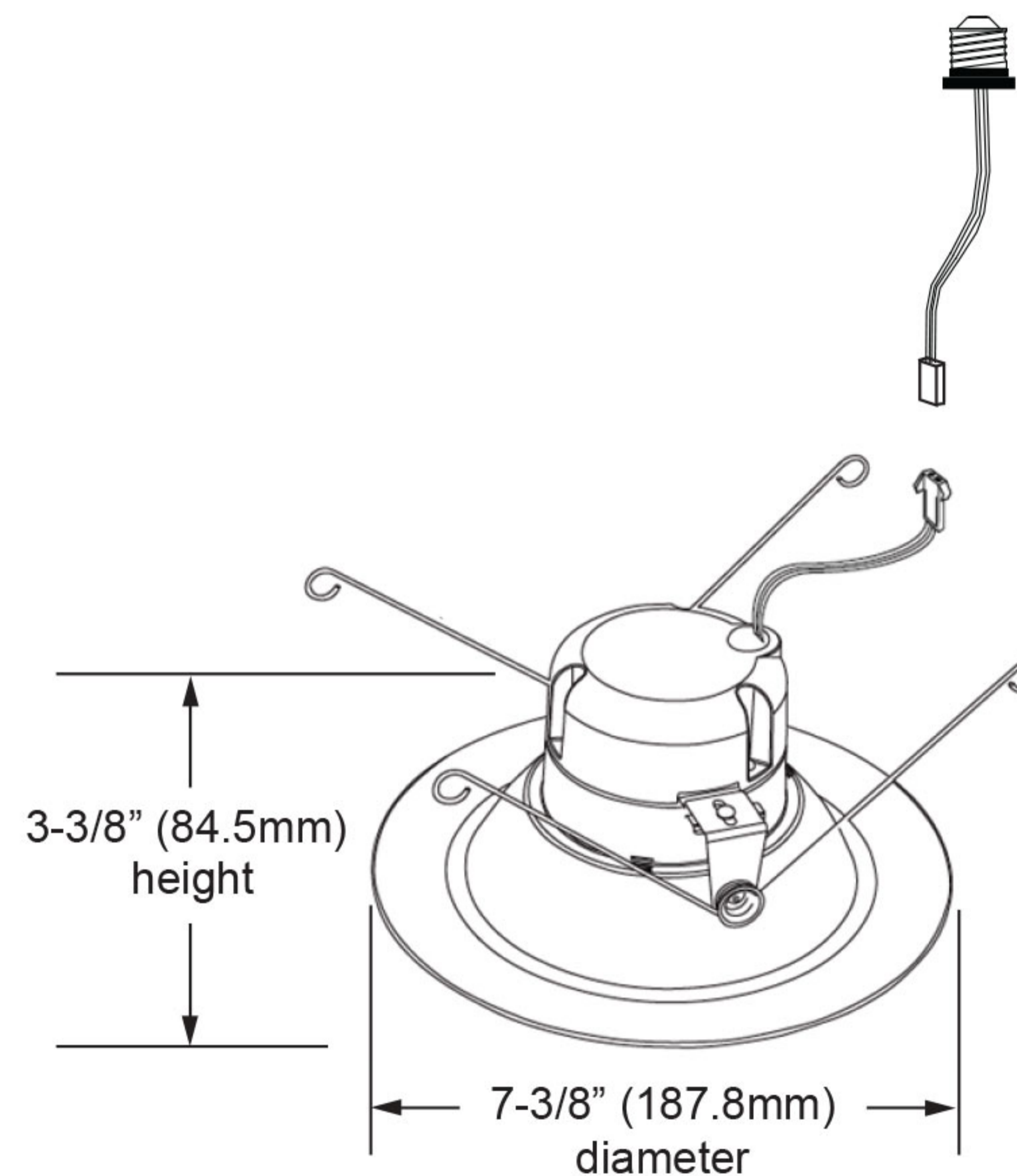


LS-A56-30K-WH



**Torsion spring brackets are pre-set for use with 6" cans

For use with 5" cans adjust torsion spring brackets by loosening set screw, sliding bracket toward the light module along the slotted hole and re-tightening mounting bracket retaining screw to secure. (Repeat for both sides.)



TECHNICAL SPECIFICATIONS

Voltage	120V, 60 Hz AC operation
Construction	22x 3528 LEDs and attached 120V LED driver with built-in heat dissipation design inside plastic housing
Mounting	Classified c/UL/us requires use with c/UL/us Listed 6" housing for this self ballasted lamp in either new construction or retrofit applications; confirm dimensions with the housing manufacturer's specification sheet. Each downlight includes torsion springs (attached)
Dimensions	H = 3-3/8", Dia = 7-3/8"
Wattage	14 watts
Packaging	Brown box, 12 per case
LED specs	25,000 hour rated life, 3000K, 850 lumens and 80 CRI
Dimmers	Dimmable with most standard incandescent dimmers (phase controlled)
Diffuser	Frosted polycarbonat lens with deep regression for low glare