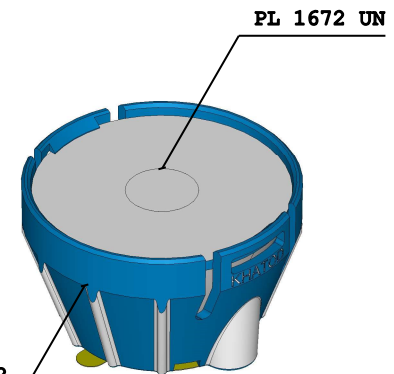


ETI 1672



KE 1672

Note:

- Dimensions in inches into brackets
- For missing dimensions see 3D file

" Project and design owned by Khatod OPTOELECTRONIC s. r. l."			
The technical solutions adopted in this design are Khatod intellectual property, they cannot be reproduced and transmitted to third parties without our prior written permission.			
Unauthorized disclosure of confidential proprietary information will be prosecuted by law.			
DESCRIPTION :		DESIGNER :	PROJECTS :
Lens with holder and tape		LM	1672
CODE :	KESQ 1672 UN	CHECKED :	DATA :
		GV	18/06/2018
Khatod Via Alessandrina, 25 Cusano Milanino MILANO ITALIA WWW.KHATOD.COM		All Dimensions in mm General Tolerances +/- 0.20 mm	HEAT TREATMENT: None
		MATERIAL: Various	SHEET: 1 of 1
SCALE :		SCALE :	
1 : 1		1 : 1	