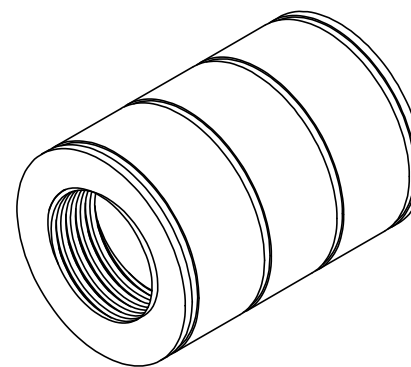
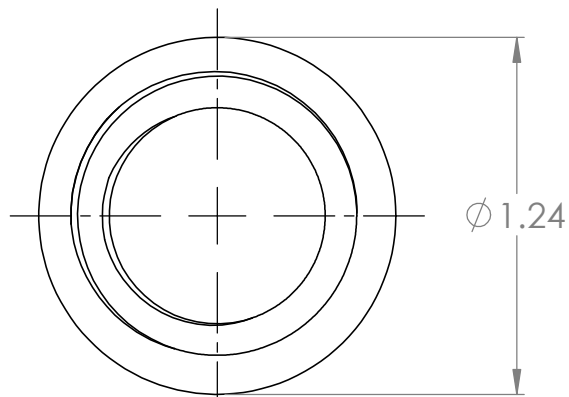


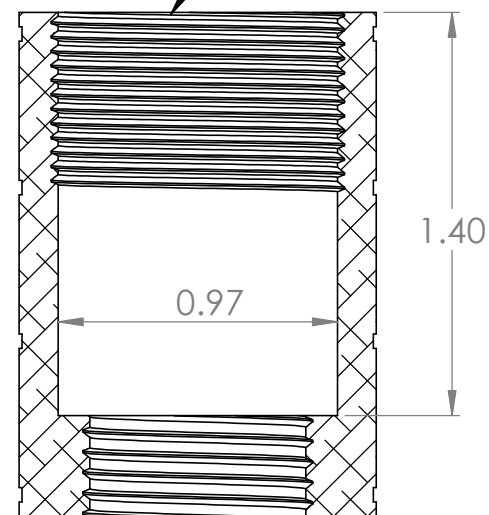
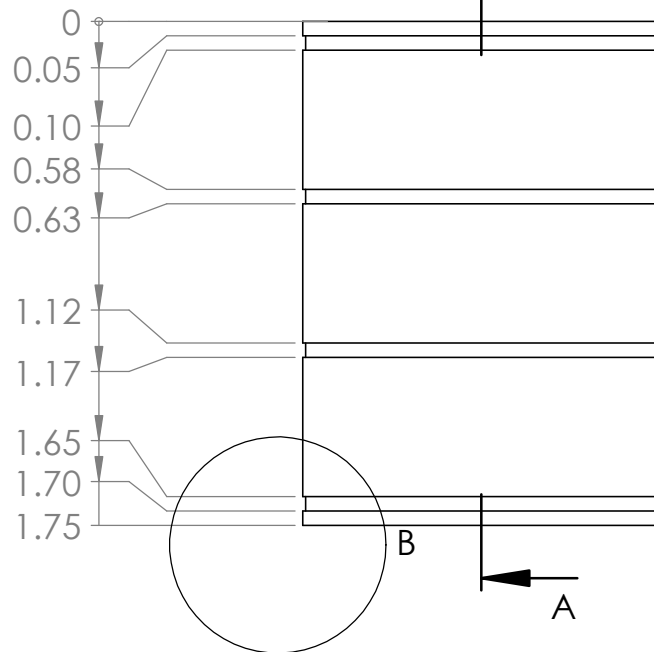
TYP 4 PLACES

0.01

DETAIL B  
SCALE 5 : 1



20 TPI  $\nabla .60$



SECTION A-A  $\phi .75$  THRU  
1/2 NPT  $\nabla .35$

**PROPRIETARY AND CONFIDENTIAL**  
THE INFORMATION CONTAINED IN THIS DRAWING IS THE SOLE PROPERTY OF LEDSUPPLY. ANY REPRODUCTION IN PART OR AS A WHOLE WITHOUT THE WRITTEN PERMISSION OF LEDSUPPLY IS PROHIBITED.

UNLESS OTHERWISE SPECIFIED:

DIMENSIONS ARE IN INCHES  
TOLERANCES:  
FRACTIONAL  $\pm 1/64$   
TWO PLACE DECIMAL  $\pm .015$   
THREE PLACE DECIMAL  $\pm .005$   
ANGULAR:  
MACH  $\pm 1^\circ$  BEND  $\pm 2^\circ$

INTERPRET GEOMETRIC  
TOLERANCING PER: ANSI



TITLE:  
BODY, FLASHLIGHT, 1 IN 3UP

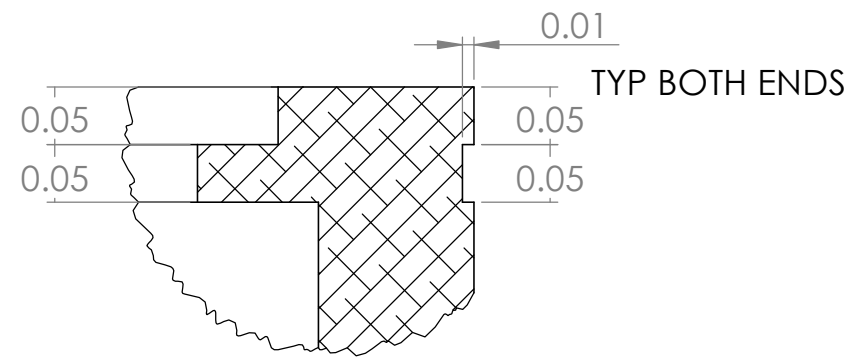
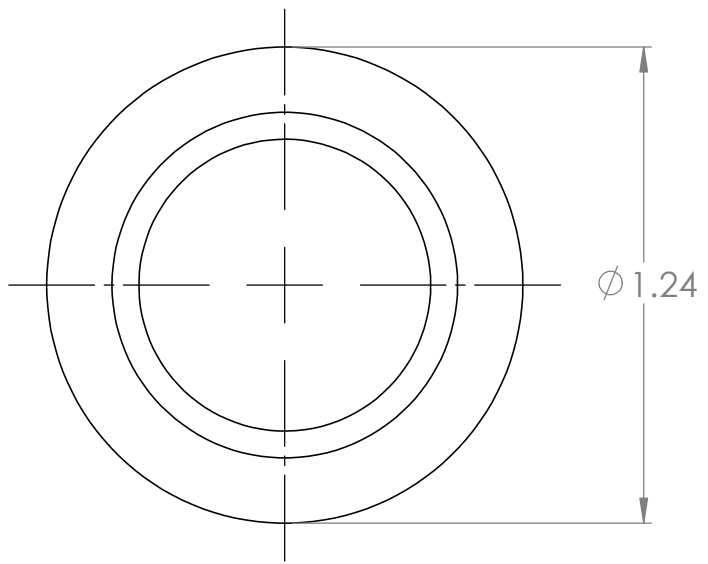
	NAME	DATE
DRAWN	S. NEWMARCO	7/19/2019
CHECKED		

SIZE	FILE NAME:	REV
<b>A</b>	QL-31.75MM3UPHS	

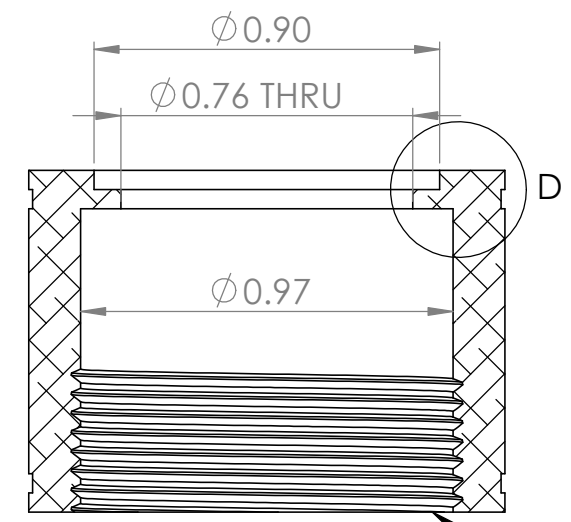
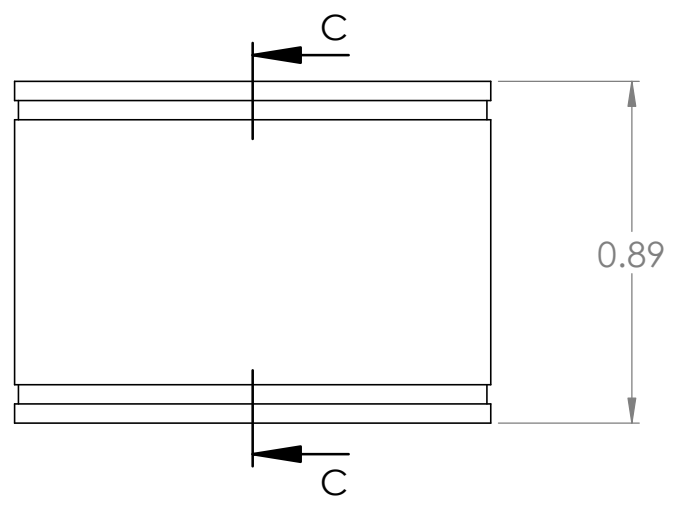
MATERIAL 6061-T6 FINISH

DO NOT SCALE DRAWING  
SCALE: 3:2

SHEET 1 OF 3



DETAIL D  
SCALE 6 : 1

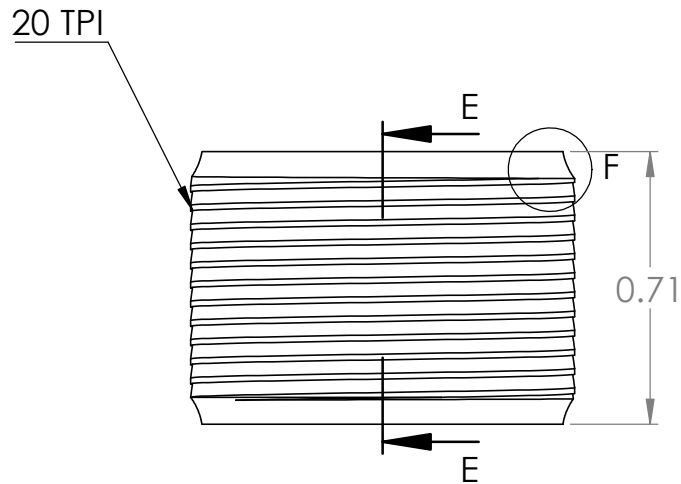
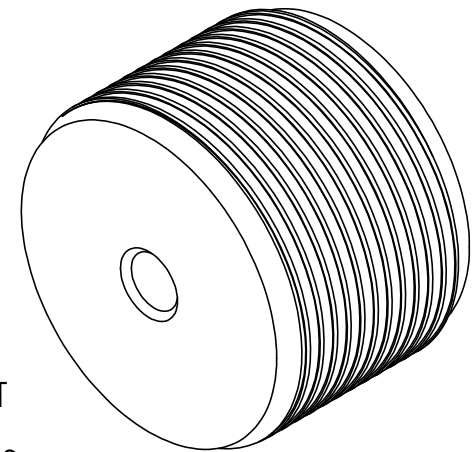
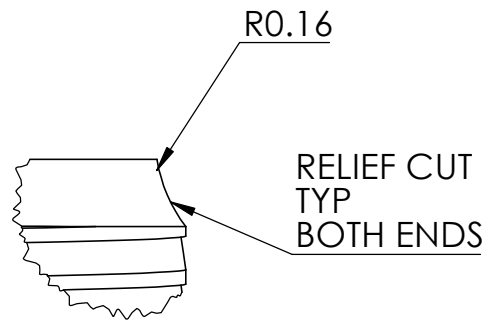
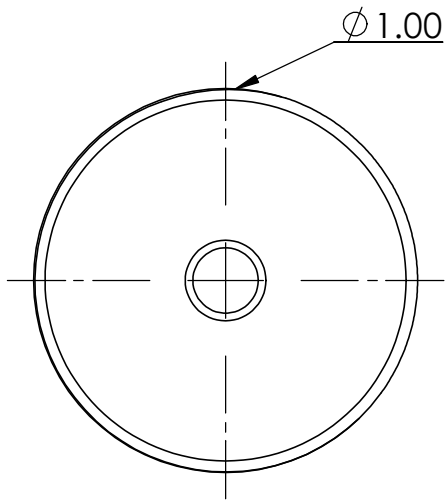


SECTION C-C  
20 TPI  $\nabla .35$

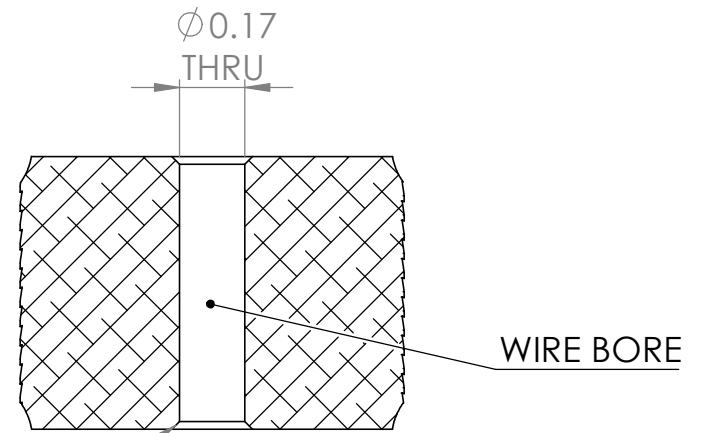
**PROPRIETARY AND CONFIDENTIAL**  
THE INFORMATION CONTAINED IN THIS DRAWING IS THE SOLE PROPERTY OF LEDSUPPLY. ANY REPRODUCTION IN PART OR AS A WHOLE WITHOUT THE WRITTEN PERMISSION OF LEDSUPPLY IS PROHIBITED.

UNLESS OTHERWISE SPECIFIED:  
DIMENSIONS ARE IN INCHES  
TOLERANCES:  
FRACTIONAL  $\pm 1/64$   
TWO PLACE DECIMAL  $\pm .015$   
THREE PLACE DECIMAL  $\pm .005$   
ANGULAR:  
MACH  $\pm 1^\circ$  BEND  $\pm 2^\circ$   
INTERPRET GEOMETRIC TOLERANCING PER: ANSI

<b>LEDsupply</b>		TITLE: CAP, FLASHLIGHT, 1 IN 3UP	
NAME	DATE	SIZE	FILE NAME:
S. NEWMARCO	7/19/2019	<b>A</b>	QL-31.75MM3UPHS
CHECKED			REV
MATERIAL	FINISH	DO NOT SCALE DRAWING	
6061-T6		SCALE: 2:1	
		SHEET 2 OF 3	



DETAIL F  
SCALE 5 : 1



0.02 X 45°  
TYP BOTH ENDS

SECTION E-E

**PROPRIETARY AND CONFIDENTIAL**  
THE INFORMATION CONTAINED IN THIS DRAWING IS THE SOLE PROPERTY OF LEDSUPPLY. ANY REPRODUCTION IN PART OR AS A WHOLE WITHOUT THE WRITTEN PERMISSION OF LEDSUPPLY IS PROHIBITED.

UNLESS OTHERWISE SPECIFIED:

DIMENSIONS ARE IN INCHES  
TOLERANCES:  
FRACTIONAL ± 1/64  
TWO PLACE DECIMAL ± .015  
THREE PLACE DECIMAL ± .005  
ANGULAR:  
MACH ± 1° BEND ± 2°

INTERPRET GEOMETRIC TOLERANCING PER: ANSI



TITLE:  
**UNION, FLASHLIGHT, 1 IN 3UP**

	NAME	DATE
DRAWN	S. NEWMARCO	7/19/2019
CHECKED		

SIZE	FILE NAME:	REV
<b>A</b>	QL-31.75MM3UPHS	

MATERIAL: 6061-T6 FINISH:

DO NOT SCALE DRAWING  
SCALE: 2:1

SHEET 3 OF 3