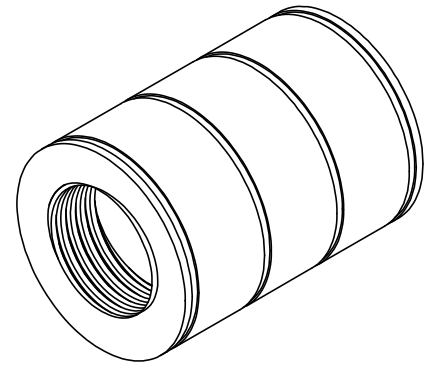
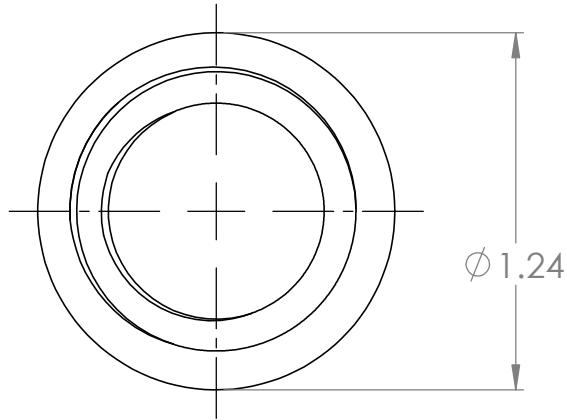


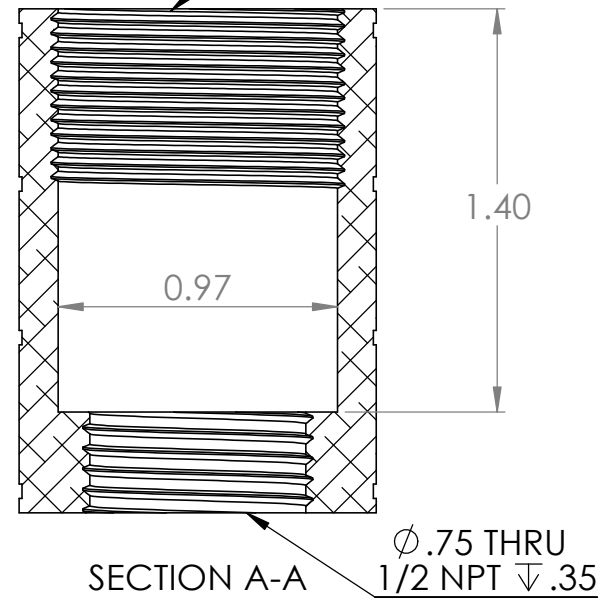
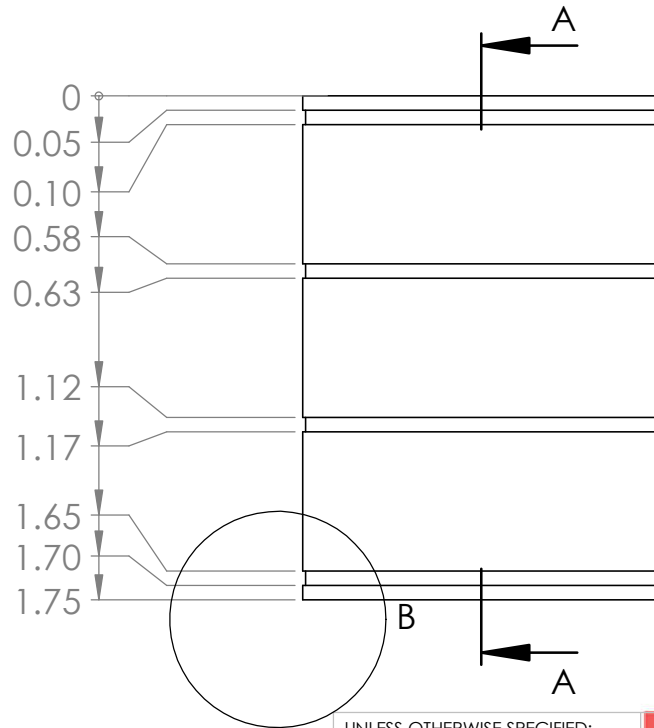
TYP 4 PLACES

0.01

DETAIL B
SCALE 5 : 1



20 TPI $\nabla .60$



PROPRIETARY AND CONFIDENTIAL
THE INFORMATION CONTAINED IN THIS DRAWING IS THE SOLE PROPERTY OF LEDSUPPLY. ANY REPRODUCTION IN PART OR AS A WHOLE WITHOUT THE WRITTEN PERMISSION OF LEDSUPPLY IS PROHIBITED.

UNLESS OTHERWISE SPECIFIED:

DIMENSIONS ARE IN INCHES
TOLERANCES:
FRACTIONAL $\pm 1/64$
TWO PLACE DECIMAL $\pm .015$
THREE PLACE DECIMAL $\pm .005$
ANGULAR:
MACH $\pm 1^\circ$ BEND $\pm 2^\circ$

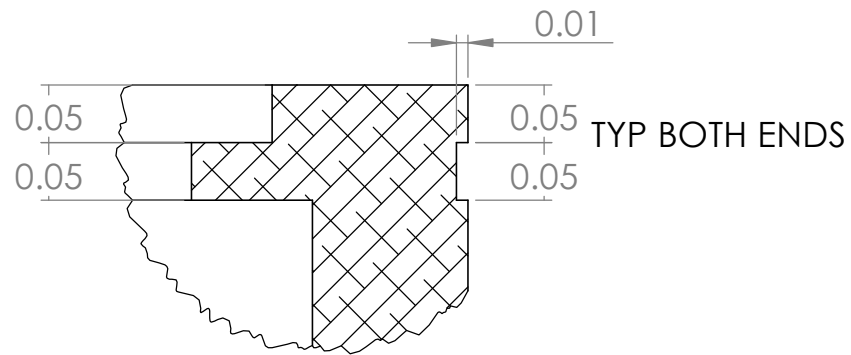
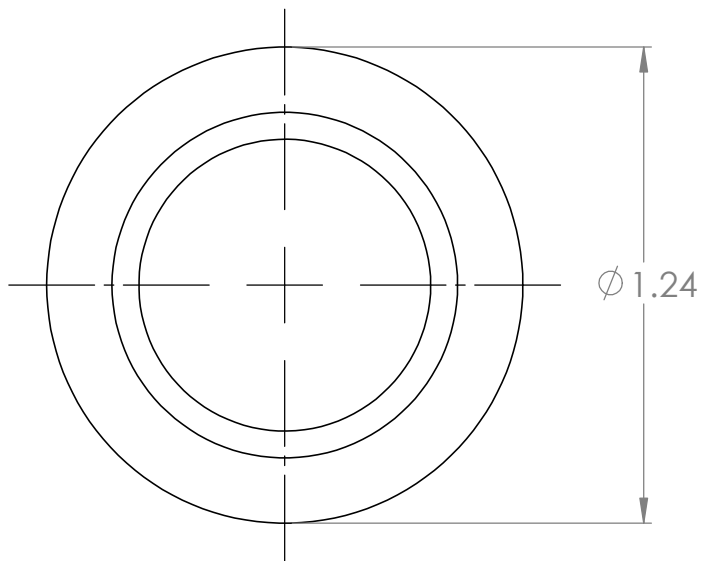
INTERPRET GEOMETRIC
TOLERANCING PER: ANSI



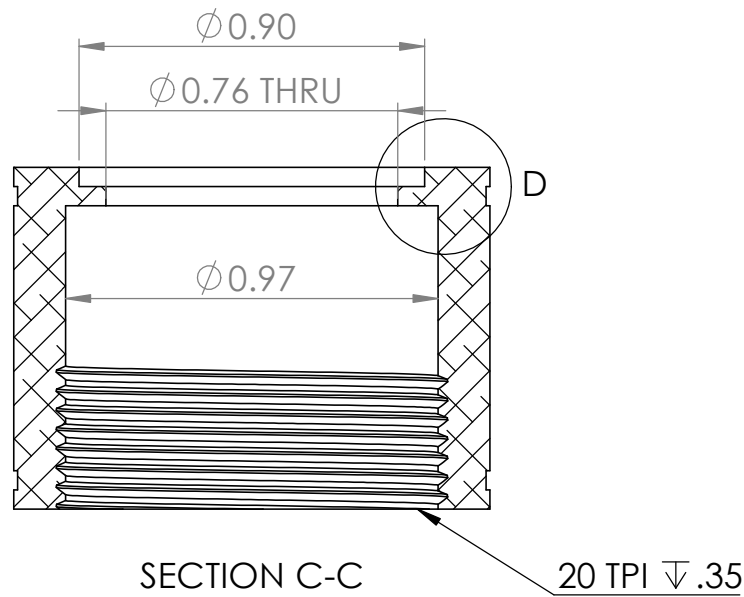
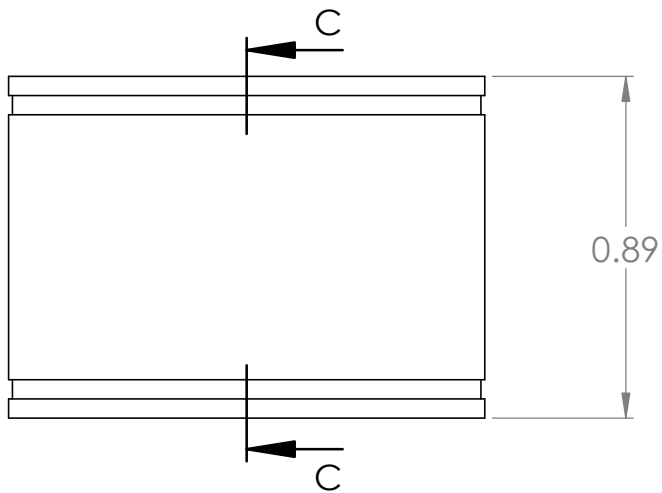
TITLE:

BODY, FLASHLIGHT, 1 IN 1UP

| DRAWN | | NAME | DATE | SIZE | FILE NAME: | REV |
|-------------|--|-------------|-----------|------------------------------------|-----------------|--------------|
| S. NEWMARCO | | S. NEWMARCO | 7/19/2019 | A | QL-31.75MM1UPHS | |
| CHECKED | | | | DO NOT SCALE DRAWING SCALE: 3:2 | | SHEET 1 OF 3 |
| MATERIAL | | FINISH | | | | |
| 6061-T6 | | | | | | |



DETAIL D
SCALE 6 : 1



SECTION C-C

PROPRIETARY AND CONFIDENTIAL
THE INFORMATION CONTAINED IN THIS DRAWING IS THE SOLE PROPERTY OF LEDSUPPLY. ANY REPRODUCTION IN PART OR AS A WHOLE WITHOUT THE WRITTEN PERMISSION OF LEDSUPPLY IS PROHIBITED.

UNLESS OTHERWISE SPECIFIED:

DIMENSIONS ARE IN INCHES
TOLERANCES:
FRACTIONAL $\pm 1/64$
TWO PLACE DECIMAL $\pm .015$
THREE PLACE DECIMAL $\pm .005$
ANGULAR:
MACH $\pm 1^\circ$ BEND $\pm 2^\circ$

INTERPRET GEOMETRIC TOLERANCING PER: ANSI

LEDsupply

TITLE:

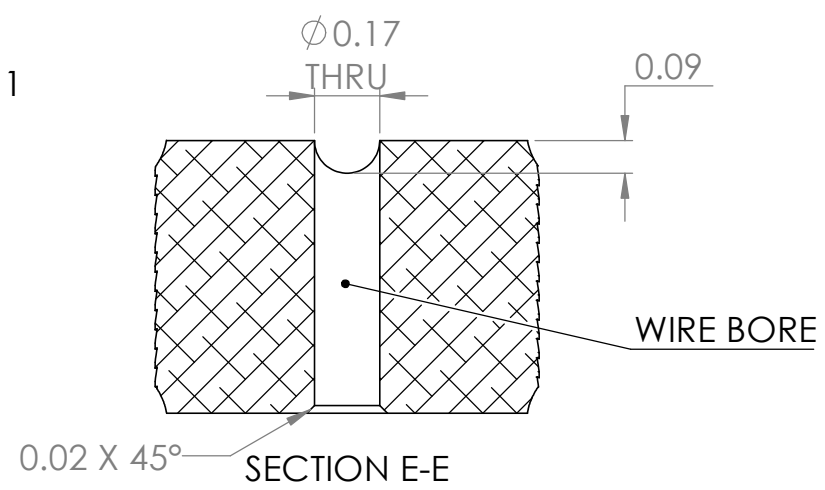
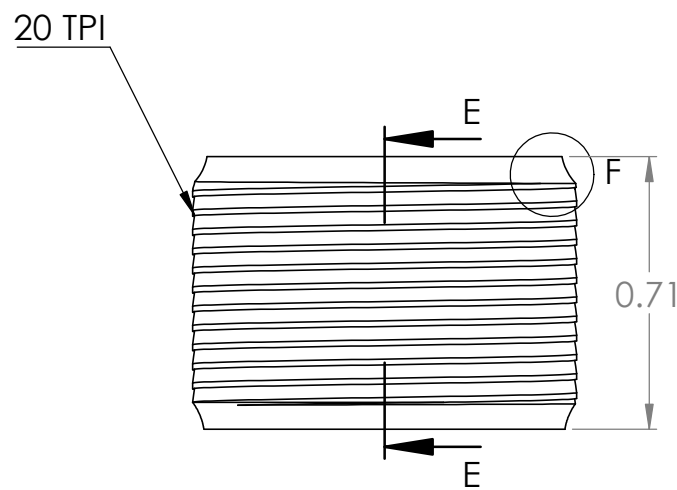
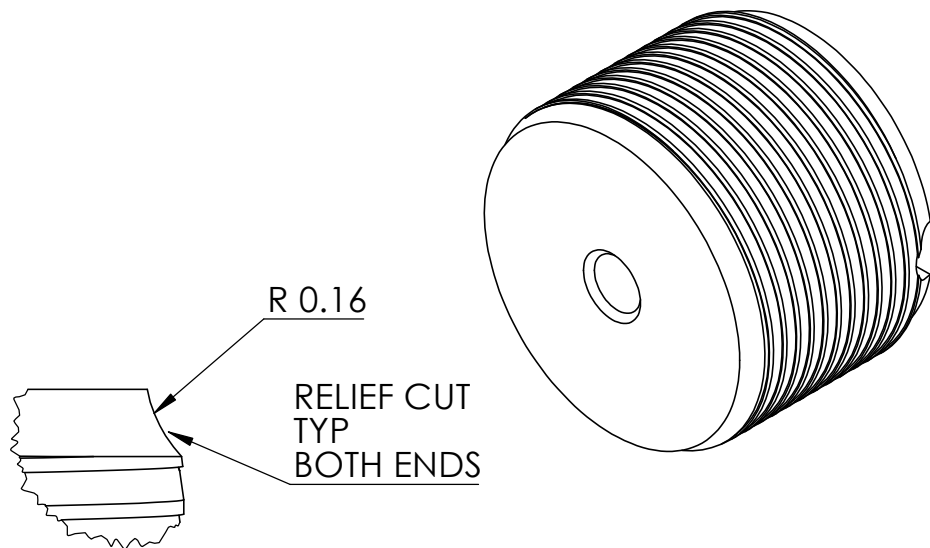
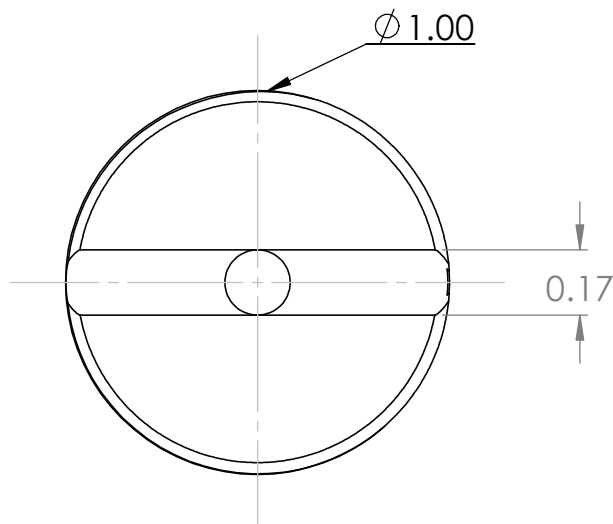
CAP, FLASHLIGHT, 1 IN 1UP

| | NAME | DATE |
|----------|-------------|-----------|
| DRAWN | S. NEWMARCO | 7/19/2019 |
| CHECKED | | |
| MATERIAL | 6061-T6 | FINISH |

| SIZE | FILE NAME: | REV |
|----------|-----------------|-----|
| A | QL-31.75MM1UPHS | |

DO NOT SCALE DRAWING
SCALE: 2:1

SHEET 2 OF 3



DETAIL F
SCALE 5 : 1

PROPRIETARY AND CONFIDENTIAL
THE INFORMATION CONTAINED IN THIS DRAWING IS THE SOLE PROPERTY OF LEDSUPPLY. ANY REPRODUCTION IN PART OR AS A WHOLE WITHOUT THE WRITTEN PERMISSION OF LEDSUPPLY IS PROHIBITED.

UNLESS OTHERWISE SPECIFIED:
DIMENSIONS ARE IN INCHES
TOLERANCES:
FRACTIONAL $\pm 1/64$
TWO PLACE DECIMAL $\pm .015$
THREE PLACE DECIMAL $\pm .005$
ANGULAR:
MACH $\pm 1^\circ$ BEND $\pm 2^\circ$
INTERPRET GEOMETRIC TOLERANCING PER: ANSI

| | | | |
|-------------------|-----------|---------------------------------------|-----------------|
| LEDsupply | | TITLE: UNION, FLASHLIGHT, 1 IN 1UP | |
| NAME | DATE | SIZE | FILE NAME: |
| DRAWN S. NEWMARCO | 7/19/2019 | A | QL-31.75MM1UPHS |
| CHECKED | | | REV |
| MATERIAL 6061-T6 | FINISH | DO NOT SCALE DRAWING | SHEET 3 OF 3 |
| | | SCALE: 2:1 | |