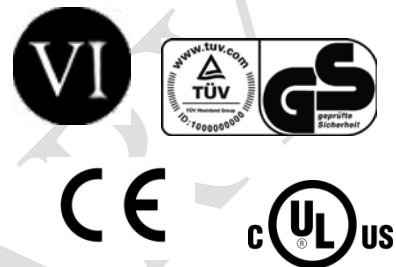




120 Watt Universal 3-Wire Input Adapter Meets Level VI Efficiency PSA120U Adapter Series



Features

- Level VI Efficiency Compliant
- Compliant with Ecodesign ErP Directive 2009/125/EC level 2 annex 1b
- Non-vented/Spill-proof Case
- Class B EMI

Applications

- Networking
- Peripherals
- Industrial
- Test and Measurement

Safety Approvals

- cUL/UL 60950-1
- CSA
- TÜV
- CE

Mechanical Characteristics

- Length: 152mm (5.98in)
- Width: 73mm (2.88in)
- Height: 37mm (1.45in)
- Weight: 800g (1.76lbs)

Output Specifications

Model	DC Output Voltage	Load		Efficiency Level ²
		Min. ¹	Max.	
PSA120U-120L6	12V	0A	9A	VI
PSA120U-240L6	24V	0A	6A	VI
PSA120U-480L6	48V	0A	3A	VI

1 Dynamic load from 0.1A to full load.

2 See more detail on the second page

Input:**AC Input Voltage Rating**

100 to 240VAC

AC Input Voltage Range

90 to 264VAC

AC Input Frequency

47 to 63Hz

Input Current

1.5A at 115VAC

0.75A at 230VAC

Leakage Current

<250uA at 250VAC/50Hz

Inrush Current

65A at 120VAC

130A at 240VAC

(Cold Start at ambient 25°C)

Input Power Saving $\leq 0.15W$ at 230VAC input**OUTPUT:****Efficiency Level**

DOE Level VI

Over-Voltage Protection

Output is protected from over voltage fault at all conditions including open-loop

Over-Power Protection

Auto-Reset

Ripple (P-P Max)

12V 200mV

24V 380mV

48V 480mV

(Measured using 12-inch twisted pair terminated with a 10uF capacitor and 0.1uF ceramic in parallel)

Regulation (Line & Load) $\pm 5\%$ **Short-Circuit Protection**

The power supply will go into Latch mode to protect itself against over load. The power supply will recover automatically after recycling the AC line off and on.

ENVIRONMENTAL**Temperature**

Operation	0 to +40°C
Non-operation	-20 to ~+80°C
Humidity	10 to 90%

Emissions

FCC Class B

EN55022 Class B

EN61000-3-2 Class D

EN61000-3-3

Immunity

ESD	EN61000-4-2
RS	EN61000-4-3
EFT	EN61000-4-4
Surge	EN61000-4-5
CS	EN61000-4-6
Power Frequency Magnetic Field	EN61000-4-8
Voltage Dips	EN61000-4-11

Dielectric Withstand (Hi-Pot) Test

Primary to Secondary: >3000V AC for 1 min., 10mA

MTBF

150k Hours when operated at 75% continuous load and ambient 25°C

DC Output Connector (12V model)

Molex P/N: 39-01-3065

Connecting Molex P/N: 39-00-0059

Pin	Pin 1: +12V
Connections:	Pin 2: +12V
	Pin 3: +12V
	Pin 4: GND
	Pin 5: GND
	Pin 6: GND

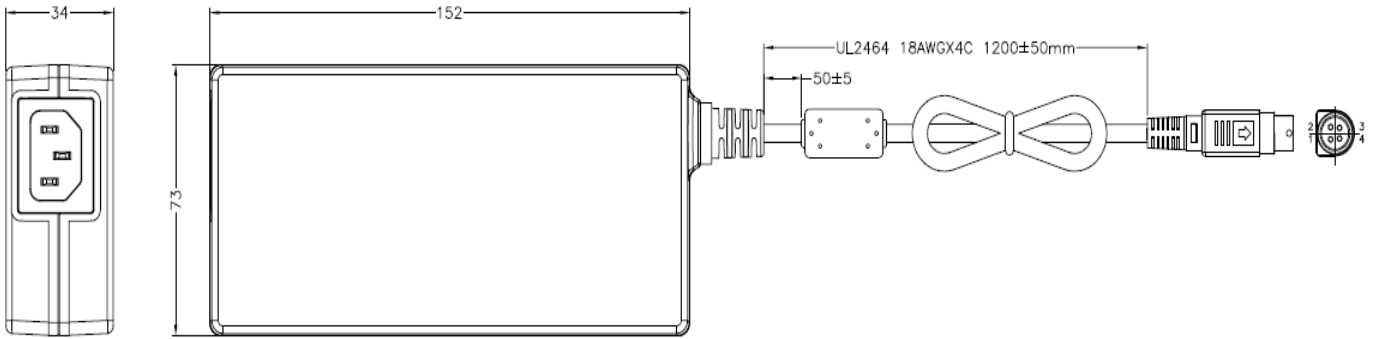
DC Output Connector (24V and 48V models)

2.5 x 5.5mm Center Positive Barrel Standard

Input Connector

3-Wire IEC320-C14

PSA120U-120L6



PSA120U-240L6, PSA120U-480L6

