



60W 12V DC LED Driver



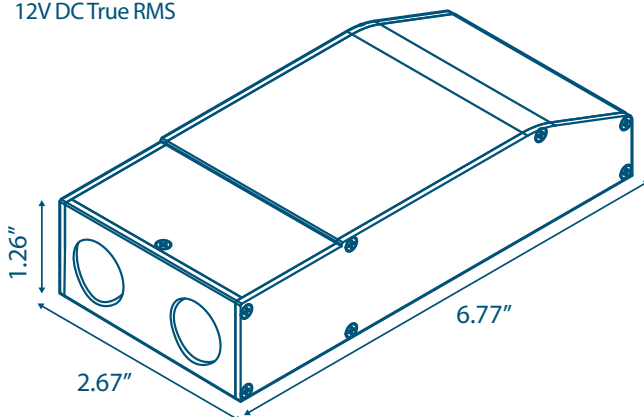
60W Voltage Dimmable Class 2 LED Driver

Product Code: E60L12DC-KO

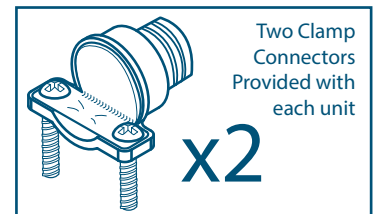
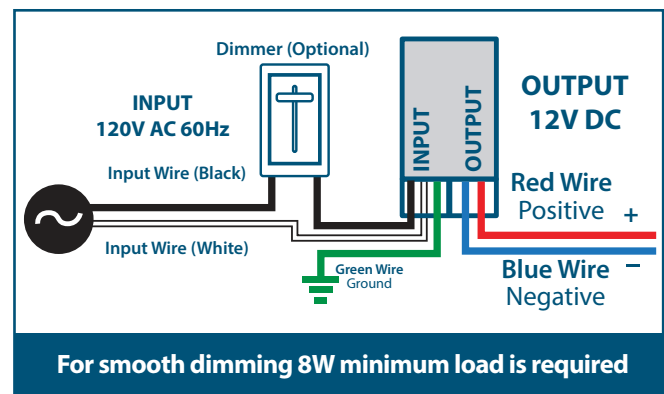
Magnitude's E60L12DC-KO dimmable voltage LED driver is class 2 rated and designed to operate with any standard MLV/Incandescent TRIAC (Leading edge) dimmer switch. Encased in a low profile aluminum enclosure that includes 2 knock-outs to enable easy installation makes it the perfect choice for under cabinet lights, tape lights and various LED fixtures installations. Our electrical specification includes Auto Reset, over current and short circuit protection. Efficiency of 90% and higher allows the driver to operate at low temperatures.

Features

- Dimmable with any standard MLV/Incandescent TRIAC- (Leading edge) dimmer switch
- Super compact ALUMINUM CASE.
- Class 2
- UL 8750
- Nema 3R - Outdoor Use
- Auto-Reset Protection for short circuits & over-voltage.
- FCC 15 part 2
- 12V DC True RMS



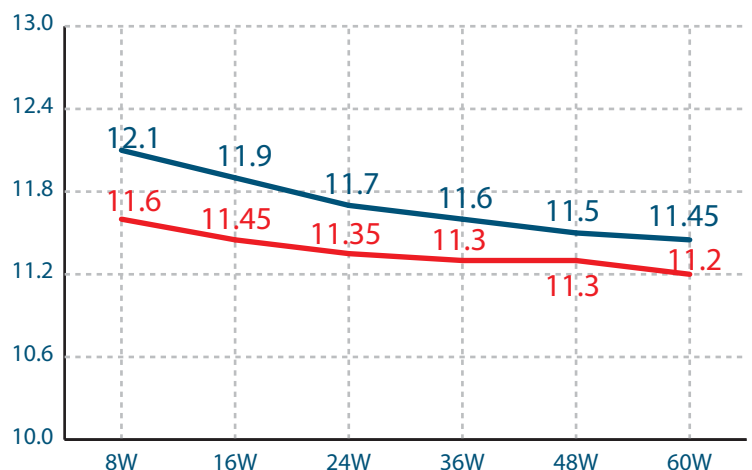
Installation



Specifications

| | |
|-----------------------------|-----------------------------|
| Max Load | 60W |
| Input Voltage | 120V AC |
| Input Current at Max Load | 0.61 A |
| Output Voltage | 12V DC |
| Output Current at Max Load | 5 A |
| Power Factor | 0.95 |
| Efficiency | > 90% |
| Operating Temp. | -20°C - 70°C (-4°F - 158°F) |
| Short circuit protection | Yes |
| Overcurrent | Yes |
| Over temperature | Yes |
| Open circuit protection | Yes |
| Input Wires (White \ Black) | 18 AWG |
| Output Wires (Red \ Black) | 14 AWG |
| Dimensions L*W*H | 6.77" x 2.67" x 1.26" |
| Weight | 17 oz |

— Output Voltage vs. Load
— Output Voltage With a Typical TRIAC Dimmer (on Max)



The specifications are subject to change without notice