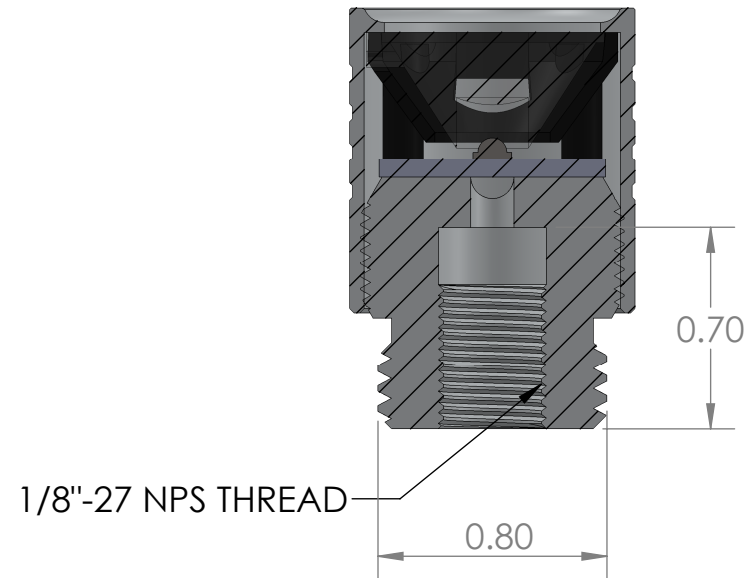
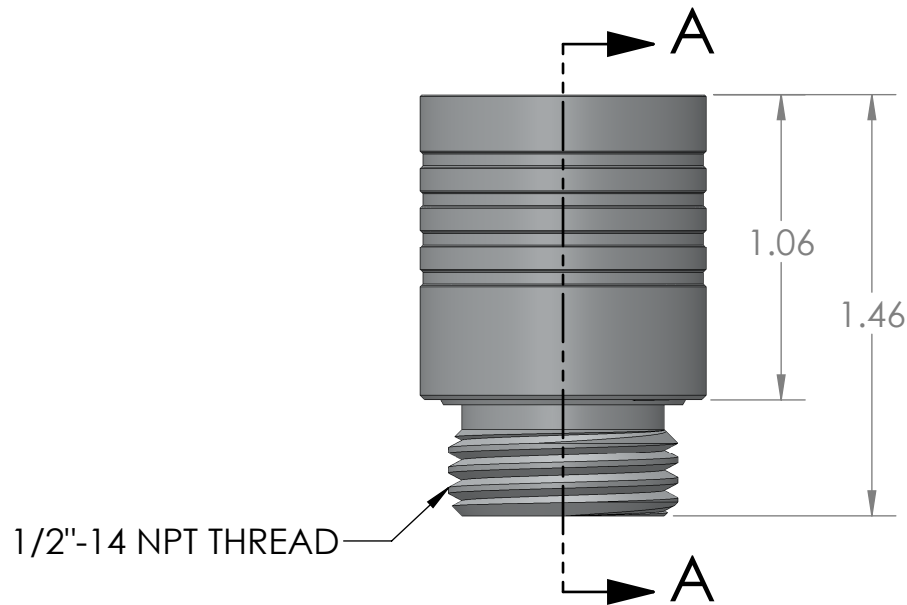


SECTION A-A



PROPRIETARY AND CONFIDENTIAL
 THE INFORMATION CONTAINED IN THIS DRAWING IS THE SOLE PROPERTY OF LEDdynamics. ANY REPRODUCTION IN PART OR AS A WHOLE WITHOUT THE WRITTEN PERMISSION OF LEDdynamics IS PROHIBITED.

UNLESS OTHERWISE SPECIFIED:
 DIMENSIONS ARE IN INCHES
 TOLERANCES:
 FRACTIONAL $\pm 1/64$
 TWO PLACE DECIMAL $\pm .015$
 THREE PLACE DECIMAL $\pm .005$
 ANGULAR:
 MACH 1° BEND $\pm 2^\circ$
 INTERPRET GEOMETRIC TOLERANCING PER: ANSI STANDARD

			TITLE:		
			SIZE	FILE NAME:	
DRAWN	NAME	DATE	A	DHL-1UP-EH Assembly	REV
	Anthony Siano	3/17/2016			
MATERIAL		FINISH		DO NOT SCALE DRAWING	SHEET 1 OF 1
				SCALE: 3:2	