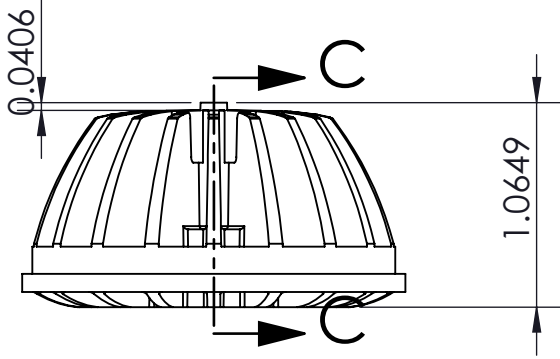
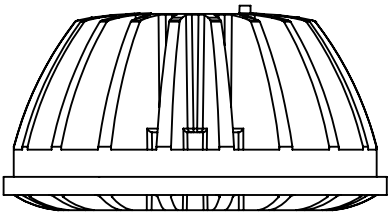
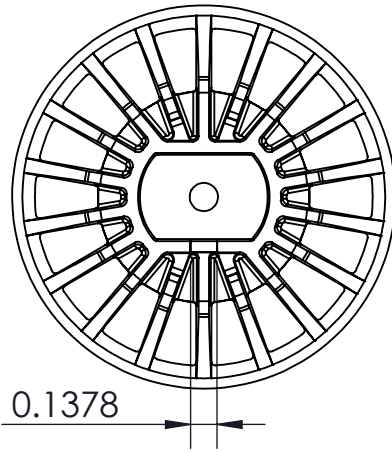
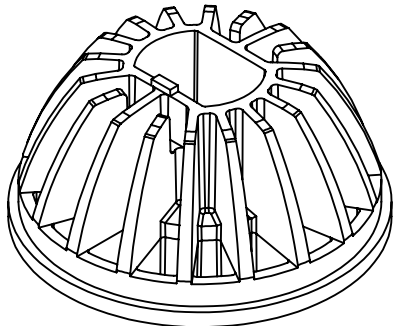
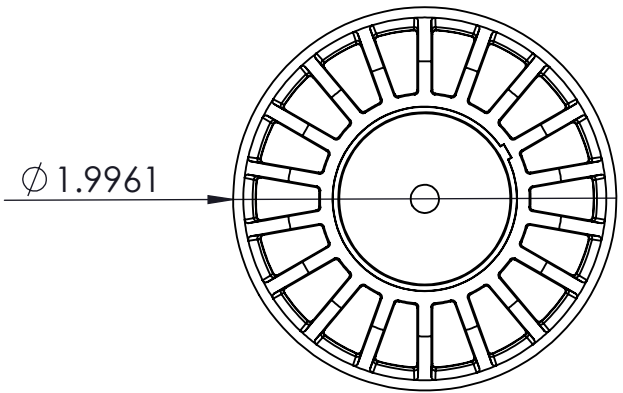
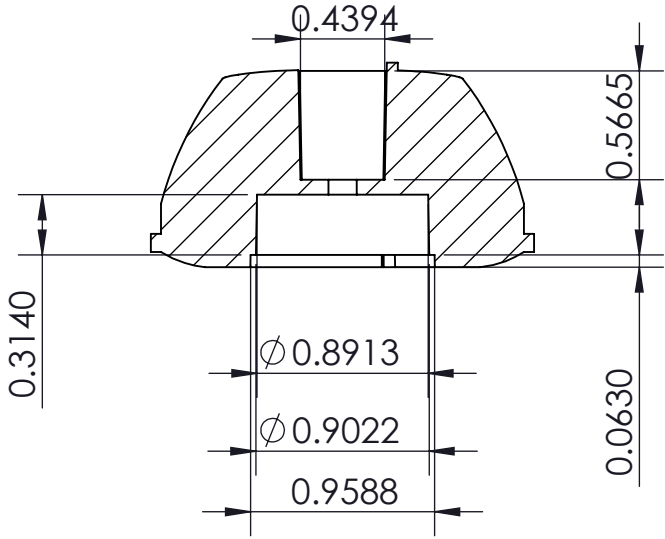


REVISIONS			
REV	DESCRIPTION	DATE	APPROVED
A	XXXXXX	XX-XX-XX	



SECTION C-C



Unless otherwise specified
 X/X ± 1/50 = .02
 .X ± .1
 .XX ± .02
 .XXX ± .003
 ∠ ± .5
 √ = 125

LEDdynamics
 44 Hull Street Randolph, VT 05060

B015-401 (Heat Sink)

The information contained in this document is proprietary to LED Dynamics and may not be divulged for any reason without written permission from LED Dynamics.	SIZE A	PROJECT	DWG NO.	REV A
	SCALE 1:1	Drawn By XXXXXX	SHEET 1 of 1	