

## LED-18W DC 700mA P

SPECIFICATIONS

### Standards

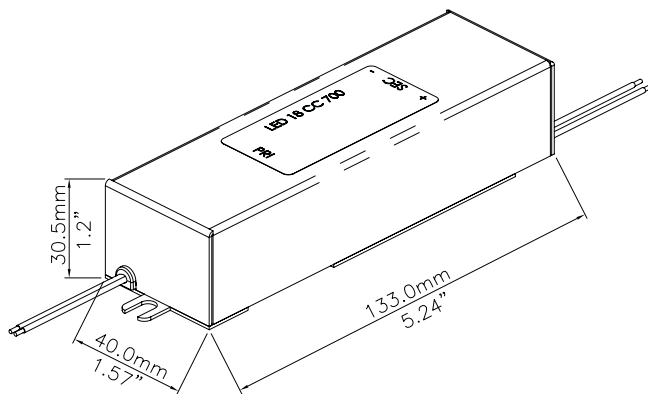
Converter meets CE standard  
 Pending UL and C-UL  
 VDE and VDE EMV approval

### Available Version

901018700P-LED 18W DC 700mA P  
 (Aluminium casing)

### Mechanical and Thermal

Dimensions (mm)      30.5 x 40 x 133  
 Dimensions (in.)     1.2 x 1.57 x 5.24  
 Weight                 300 grams, 10.58 ounces  
 Tc Max                 90°C  
 Ta Max                 50°C  
 Aluminium casing  
 Output wire            18 AWG Teflon  
 Input wire Fep/Fep 0.75mm<sup>2</sup> 450V 180°C  
 Waterproof potting



### Electrical

Load	9-18VA
Input	85-277V 0/50/60Hz
Output current	700mA+/-10%
Output voltage	10-24V
Efficiency	80%
THD max	10%
EMC (RFI)	FCC Class B/EN 55015
Harmonics	EN 61000-3-2
Safety	EN61347-2-2
Immunity	EN 61547/61047
SELV	

### Protection and Regulation

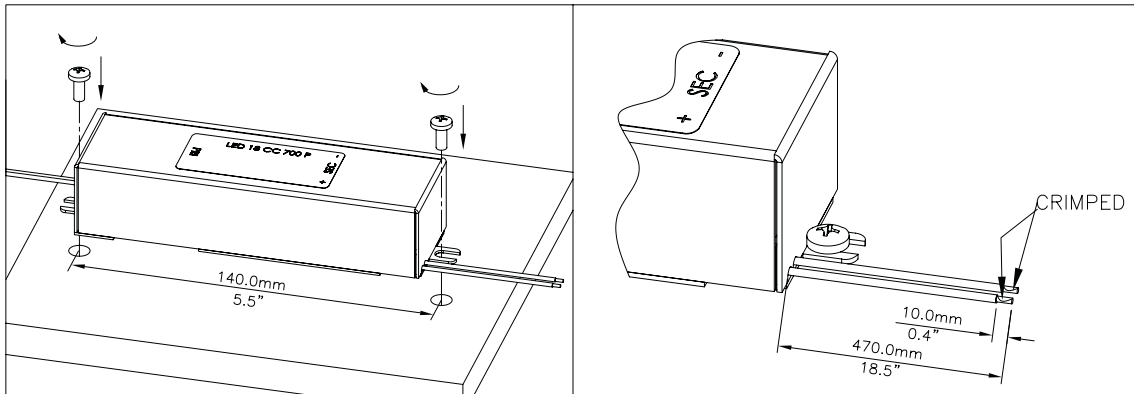
Electronic internal resettable short circuit protection.  
 Thermal protection and overload regulation.

See reverse side for more information →



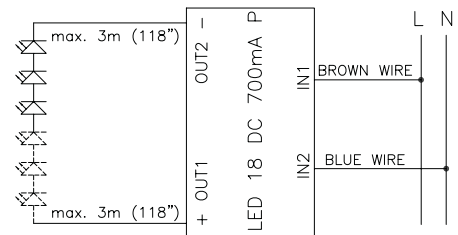
# LED-18W DC 700mA P

## Mounting Instructions



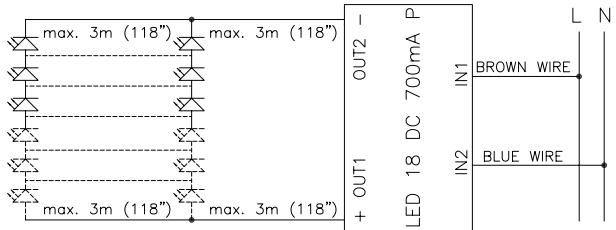
### LED 700mA

From 3 to 6 leds in series.



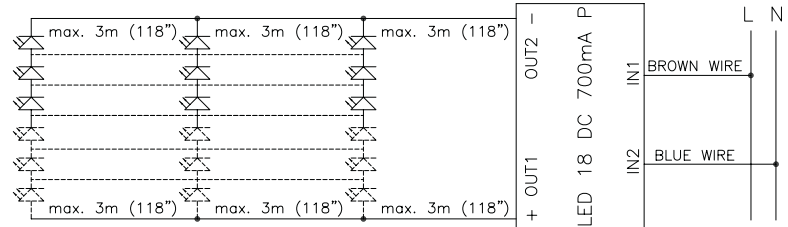
### LED 350mA

From 3 to 6 leds in series, 2 leds in parallel, with or without crossovers.



### LED 233mA

From 3 to 6 leds in series 3 leds in parallel, with or without crossovers.



## Safety Instructions:

1. Always disconnect power before installation and/or removal of the unit.
2. Install in accordance with national and local electrical codes.
3. Wires: Input and output wires 0.75mm<sup>2</sup> or 18 AWG.